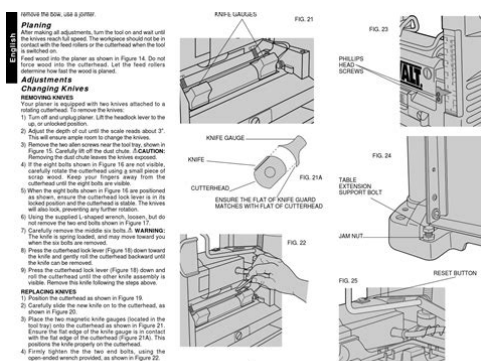


Dewalt 742 Instruction Manual



File Name: Dewalt 742 Instruction Manual.pdf
Size: 4986 KB
Type: PDF, ePub, eBook
Category: Book
Uploaded: 23 May 2019, 12:21 PM
Rating: 4.6/5 from 737 votes.

Status: AVAILABLE

Last checked: 4 Minutes ago!

In order to read or download Dewalt 742 Instruction Manual ebook, you need to create a FREE account.

[Download Now!](#)

eBook includes PDF, ePub and Kindle version

[Register a free 1 month Trial Account.](#)

[Download as many books as you like \(Personal use\)](#)

[Cancel the membership at any time if not satisfied.](#)

[Join Over 80000 Happy Readers](#)

Book Descriptions:

We have made it easy for you to find a PDF Ebooks without any digging. And by having access to our ebooks online or by storing it on your computer, you have convenient answers with Dewalt 742 Instruction Manual . To get started finding Dewalt 742 Instruction Manual , you are right to find our website which has a comprehensive collection of manuals listed.

Our library is the biggest of these that have literally hundreds of thousands of different products represented.



Book Descriptions:

Dewalt 742 Instruction Manual

Page 2 11 10 12 13 14 15 9 8 16 17 6 7 5 4 18 19 1 2 3 A1 20 27 28 26 21 22 24 A2 25 23. Page 3 30 29 33 31 32 A3 36 37 38 42 40 39 34 35 A4 41 A5. Page 4 43 44 35 A7 A6 B H 45 B1 B H A8 B2. Page 5 3 52 4 48 49 50 51 D C 56 54 53 22 56 26 19 E1 E2 27 13 14 59 61 60 57 30 F1 57 62 F2. Page 7 27 7 79 M2 N1 19 26 N2 30 82 80 81 29 59 30 2 mm 38 mm O P 88 33 84 85 86 83 Q R S T 87. Page 8 24 U V W X1 93 X2 92 90 93 91 X3 Y 89. Page 9 NEDERLANDS TAFEL, AFKORT EN VERSTEKZAAGMACHINE DW742 Gefeliciteerd. EGVerklaring van overeenstemming U heeft gekozen voor een elektrische machine van DEWALT. Jarenlange ervaring, voortdurende produktontwikkeling en innovatie maken DEWALT tot een betrouwbare partner voor de professionele gebruiker. Inhoudsopgave Technische gegevens EGVerklaring van overeenstemming Veiligheidsinstructies Inhoud van de verpakking Beschrijving Elektrische veiligheid Gebruik van verlengsnoeren Monteren en instellen Aanwijzingen voor gebruik Onderhoud Garantie nl 1 nl 1 nl 2 nl. Page 10 NEDERLANDS Veiligheidsinstructies Neem bij het gebruik van elektrische machines altijd de plaatselijk geldende veiligheidsvoorschriften in acht in verband met brandgevaar, gevaar voor elektrische schokken en lichamelijk letsel. Lees ook onderstaande instructies aandachtig door voordat u met de machine gaat werken. Bewaar deze instructies zorgvuldig! 17 Algemeen 1 Zorg voor een opgeruimde werkomgeving Een rommelige werkomgeving leidt tot ongelukken. 2 Houd rekening met omgevingsinvloeden Stel elektrische machines niet bloot aan vocht. Het zagen van inzetsleuven is niet toegestaan. Houd de zaagbladen scherp. Gebruik geen zaagblad met een grotere of. <http://www.goteneplast.se/files/images/boss-864-manual.xml>

- **dewalt 742 instruction manual, dewalt dw742 instruction manual, dewalt 742 instruction manual, dewalt 742 instruction manual pdf, dewalt 742 instruction manual instructions, dewalt 742 instruction manual download, dewalt 742 instruction manual 2016.**

Page 12 NEDERLANDS 19 Hendel voor het vrijmaken van de tafel A2 20 Bedieningshandvat 21 Diepteaanslagstang 22 Diepteinstelsysteem 23 Stofafzuigadapter 24 Klemhendel voor schuininstelling 25 Vastzetbeugel voor tafelblad 26 Tafelvergrendeling 27 Spouwmesvergrendelknop 28 Motorhuis Gebruik als tafelzaag A3 29 Bovenste beschermkap 30 Spouwmes 31 Zaagtafel 32 Verstekaanslag optie 33 Parallelaanslag met twee hoogtes 40 68 85 88 15 170 140 68 22 210 Met 25 mm opvulstuk fig. B1 Met 50 mm. Page 13 NEDERLANDS Omdraaien van de zaagkop met tafel fig. Page 15 NEDERLANDS In en uitschakelen fig. Basis zaagsneden Gebruik als verstekzaag Het is gevaarlijk en verboden om. This document for download All trademarks and brands are the property of their respective owners. Register now and save 77% discount. Register now and save 77% discount. Perhaps you have written in the link incorrectly or have clicked on an old link. Designated trademarks belong to their respective holders. Machineseker Group GmbH does not accept any liability for the content of linked websites. Of course the very best place to find instruction manuals is from the manufacturers themselves! Bookmark the permalink. Cancel reply Learn how your comment data is processed. Find out how your privacy is protected on this blog, please read my Privacy Policy here. There are a few sensible terms and conditions too, you can read my Terms and Conditions Page here. Our site is categorized under Self Help Directory. A5 Fuld tilfredshed eller pengene tilbage.Lange Jahre der. Verwenden Sie keine zu schwachen Werkzeuge oder Sicherheitsvorschriften zu beachten. ECDeclaration of conformity You have chosen a D WALT product. Years of experience, thorough product development and innovation make D WALT one of the most reliable partners for professional users. The grub screw is selflocking The dual height

parallel fence 33 can be used in two positions 10 or 62 mm. fig. Y Mesa deslizante sencilla fig.D de l'axe.<http://www.jangrootmuziek.nl/files/boss-900cd-manual.xml>

Non forzare utensili norme di sicurezza atte a ridurre i rischi d'incendio, scariche e accessori di potenza limitata impiegandoli per lavori destinati ad elettriche e ferimenti. EGVerklaring van overeenstemming U heeft gekozen voor een elektrische machine van D WALT. Jarenlange ervaring, voortdurende produktontwikkeling en innovatie maken D WALT tot een betrouwbare partner voor de professionele gebruiker. De machine werkt beter en veiliger indien u deze gebruikt geldende veiligheidsvoorschriften in acht in verband met voor het beoogde doel. B1 Met 50 mm opvulstuk fig. B1 20 Bedieningshandvat Alleen dun plaatmateriaal 21 Diepteanslagstang fig.Registrieren Sie sich jetzt. It may not display this or other websites correctly. You should upgrade or use an alternative browser. The beautiful dw743. Ive ordered all the parts in but i dont have a completed saw to compare against. Can anyone provide me with photos of the space between blade, safety guard and housing in various positions. This will be great to know how to properly assemble it all. Just bought the bits and bobs for it but god knows how it all goes in. The same goes for its riving knife assembly. I dont have a complete saw to work against so im thanks for any help in advance Click to expand. I just re read my message and its not clear, sorry. The safety guard im talking about is the moving guard around the blade in mitre saw mode. The guard and all its mechanics have been taken out. Im looking for some photos of the space between the blade, safety guard and housing to give me an idea of how it should look when its all properly assembled. It is this guard that i need to install. I also need to install all the components that attach the riving knife to the housing. I have ordered all the components in, but i need photos of the saw to help me assemble it as i dont have a fully assembled one to compare against. Thats the guard in table saw mode. Im talking about the larger semi circular guard in mitre saw mode.

Thanks for the video. Although i already know how to use and assemble the tool, there were some good insights into how the moving mitre guard works. Yes i checked your link thanks. Im already familiar with these instructions though thanks. Shes quite a beastly tool so i wanted to know how to use her properly before i worked with her. Looks like Ill just have to approach it slowly, safely and expect to make many mistakes before it all works then. Thanks for the tips! You can create your listing free at DIYnot Local. Dewa flip saw chop saw table saw 110v table side demo. Is a flip over saw going to be right for me. Dw743 flip saw ripping. Dewa switch cover for site flip over saws dw742 dw743 etc n377168. Dewa expands existing miter saw line american woodworker. Dewa crosscut saw instruction manual. Dewa dw743n 250mm combination flip over saw 240v. New zealand service dewa. Instruction manual service manual service dewa. Australia new zealand service dewa. User manual dewa dw705 my pdf manuals. Dw742 combination saw type 4. Dewa de3473 flip over saw parallel fence. Dewa dt3600 125mm sander sanding backing pad for dw421 dw423 d26451 d26453. Dewa dwe46100 instruction manual. Dewa charger 110 vo input, 7,218 vo output. Dewa dw 742 flip saw with table. Dewa dcd771 20v max cordless drill 1. Dewa dw006 instruction manual. D25012, d25013 service dewa. Dewa 110v rotary hammer drill. Dewa dc727 instruction manual. Instruction manual service dewa. Brand new genuine dewa dw087 dw088 battery cover 595184 dw088. Dewa cordless trim saw instructions manual dw935k. Dewa user manual handbook instructions de9117. Thank you for stopping by. Dewa user manual handbook instructions dcr006. Dewa jigsaw 58126800 worktop protector shoe guard dw331 dcs331 dc331 s15. Dewa dc742 instruction manual. Dewa de3473 ripping parallel rip fence guide for dw742 dw743 flip oversaws. Dewa 7mm steel ball spare part 58389000 chuck 36v 28v 24v 18v sds 110v.

<http://www.diamondsinthemaking.com/content/4-speed-manual-transmission-mustang>

Dewa dw087 dw088 battery terminal spring contacts n234239. A fair lf1000 from makita. Dewa dw742 electric flipover saw. Dewa flip saw dw742 chop saw mitre saw table saw 110 v. Dewa dc745 instruction manual. Ex vat, inc vat. Dewalt dw743n 250mm combination flip over saw youtube. How

to unlock a dewalt miter saw quora. used dewalt dw 742 for sale machineseekeer. New dewalt dcd710 dcd710b 12v 12 volt max liion cordless. Dewalt dw742 electric flipover saw. Pressreader tampa bay times 20181222. You must have JavaScript enabled in your browser to utilize the functionality of this website. Order within with Free Shipping Deliveries are usually made during normal working hours. If you need to make any special arrangements with us for your delivery please contact us with your order number immediately after placing your order. Deliveries must be checked immediately upon receipt. If any damage is evident, please either sign for the delivery as damaged, marking the Carriers receipt accordingly, or do not accept the delivery. Any damage or missing items must be reported within 24 hours of receipt to the returns department, including photos of the damaged goods where appropriate. Requesting delivery to an address different to the billing address may delay your order from being despatched the same day. The price quoted will be for a single carton of up to 30Kg. The number provided will be validated against VIES, if the number is invalid VAT will still be collected.

<http://energysatrap.com/images/Cydia-Manual-Install-App.pdf>

<https://gabrieliassociati.com/images/Cydia-Manual-Install.pdf>

<http://www.bouwdata.net/evenement/4-speed-manual-transmission-mustang>